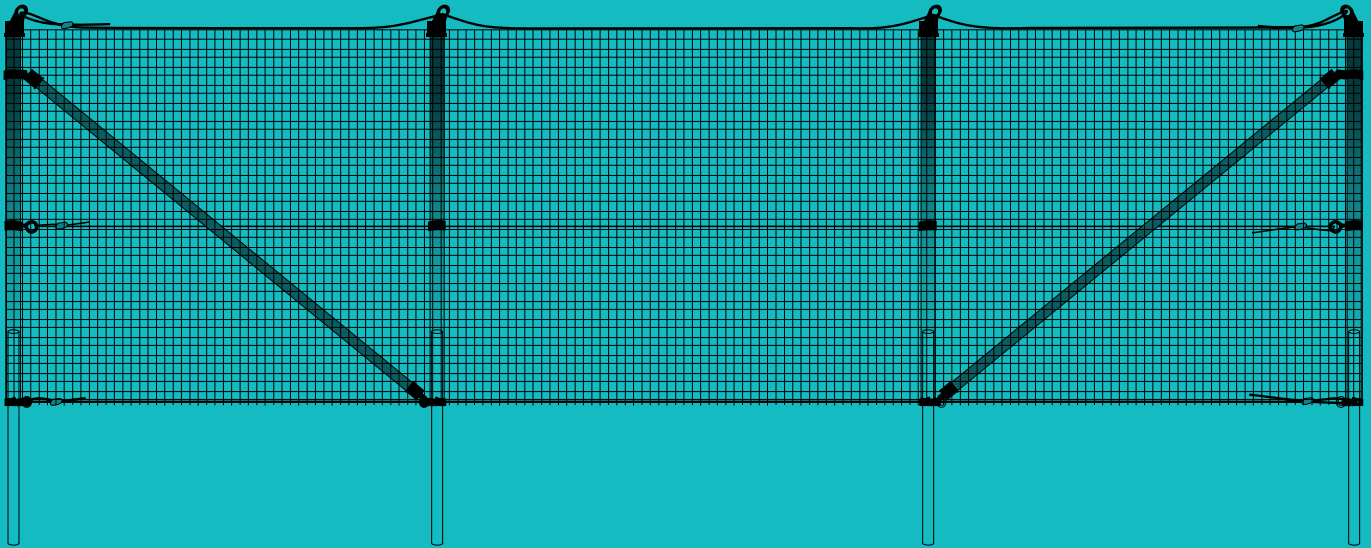




INSTRUCTIONS

Fence, Gates, Posts, Bracing + Cable



WHAT'S INSIDE

Getting Started

4 Parts

How to Install...

6 Posts

10 Bracing

12 Cable

14 Fence

Gates

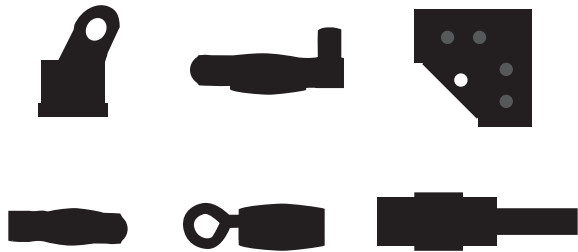
18 Access Gates

24 Driveway Gates



GET STARTED

STEP 1

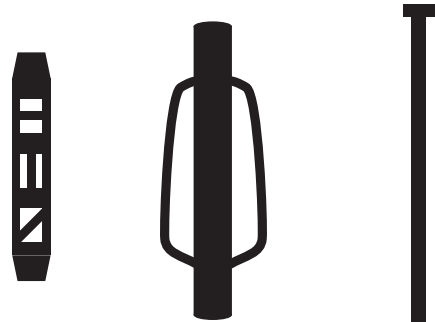


Identify Parts

Unpack all items and identify parts. Take inventory of items. Please contact us if you need help identifying parts.

NOTE: If you are missing any items, please contact us before you begin your installation.

STEP 2



Gather Tools

NECESSARY TOOLS

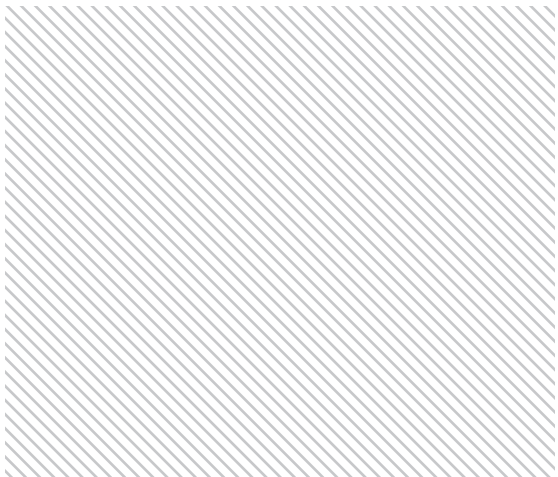
- Standard Post Driver
- San Angelo digging bar
- Long Nose Pliers
- 9" magnetic level
- Hog ring gun
- Cordless Power Drill ($\frac{3}{8}$ "
- $\frac{1}{64}$ " drill bit
- Small sledge hammer (3 lbs)
- $\frac{9}{16}$ " wrench or deep socket
- $\frac{1}{2}$ " wrench or deep socket
- $\frac{3}{8}$ " magnetic driver

RECOMMENDED TOOLS

- Dewalt Compound Action Long Nose Pliers
- 100 or 250 foot measuring tape
- $\frac{1}{4}$ " drive socket adapter (for power tightening of nuts)

OPTIONAL TOOLS

- $\frac{5}{16}$ " drill bit (used to pilot holes for tree fastening)
- 10 lbs. sledge hammer
- Post-hole digger (standard size)
- Tool belt (one sided, deep pocket)
- Cordless Sawzall tool
- 6" metal cut off Sawzall blade (medium metal teeth)





STEP 3

Plan Fence Layout

Determine where all ends, corners and gates will be located. Make sure you have enough material for your fence layout.

POST SPACING

Post should be spaced 8' to 14' apart depending on the type of fence and terrain.

METAL FENCE + FLAT TERRAIN: 8'—12'

METAL FENCE + HILLY TERRAIN: 8'

POLY FENCE + FLAT TERRAIN: 10'—14'

POLY FENCE + HILLY TERRAIN: 10'

GATE LOCATIONS

Choose level terrain for gate locations whenever possible.

CORNER AND END POSTS LOCATIONS

Corner and end posts require bracing. Brace pipe will be locked into the adjacent line post.

STEP 4

Install Fence

Install fence in this order:

1/ END + CORNER POSTS + BRACING

2/GATES

3/LINE POSTS

4/CABLES

5/FENCE

GET IN TOUCH

Call or text us: 610-604-6484

Email us: help@bennerdeerfence.com

HOW TO IDENTIFY

PARTS

POST, BRACING + HARDWARE



driveway post cap
2 1/2"



post cap
1 5/8"



brace cup
1 3/8"



collar with eye bolt
1 5/8"



collar with eye bolt
2 1/2"



brace band
1 5/8"



brace band
2 1/2"



eye lag screw
3/8" x 4 1/2"



eye bolt
5/16" x 2 1/2"



brace band with eye bolt
1 3/8"



brace band with eye bolt
1 5/8"



reverse sleeve
1 3/8"



reverse sleeve
2 3/8"



17 gauge post
1 5/8"



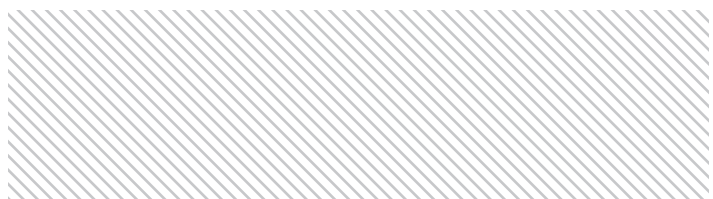
15 gauge post
1 5/8"



brace pipe
1 3/8"



brace pipe with swedge end
1 3/8"



GATE ACCESSORIES

TENSIONING



metal gate corner
1 3/8" x 1 3/8"



metal gate corner
1 5/8" x 1 3/8"



aluminum gate corner
1 3/8" x 1 3/8"



cable tie
14"



cable tie
8"



double gate latch
1 3/8" x 1 3/8"



driveway gate latch
1 3/8" x 2 1/2"



access gate latch
1 5/8"



wematic hog ring clips
3/4"



standard hog ring clips
9/16"



male gate hinge
2 1/2"



male gate hinge
1 5/8"



female gate hinge
1 3/8"



rebar ground stakes
18"



kinked ground stakes
12"



end rail clamp
1 3/8" x 1 3/8"



end rail clamp
1 5/8" x 1 3/8"



broadway clamp
1 3/8" x 1 3/8"



large gripple



medium gripple



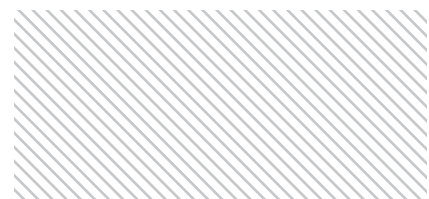
drop rod receptable



access gate leveling cable with turnbuckle



driveway gate leveling cable with turnbuckle

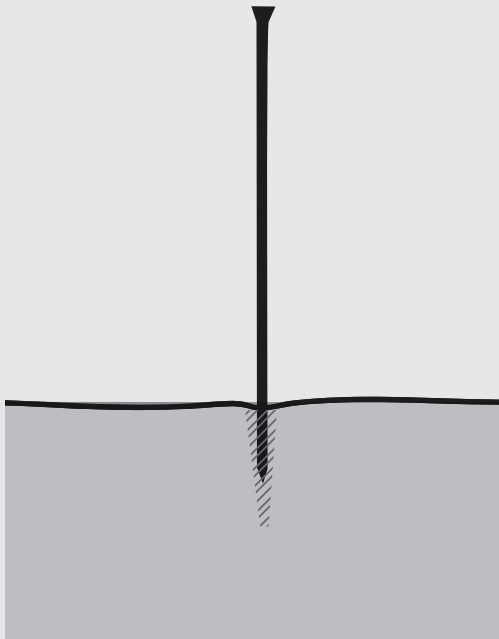


HOW TO INSTALL

POSTS

This method should be used for all end, corner, and line posts

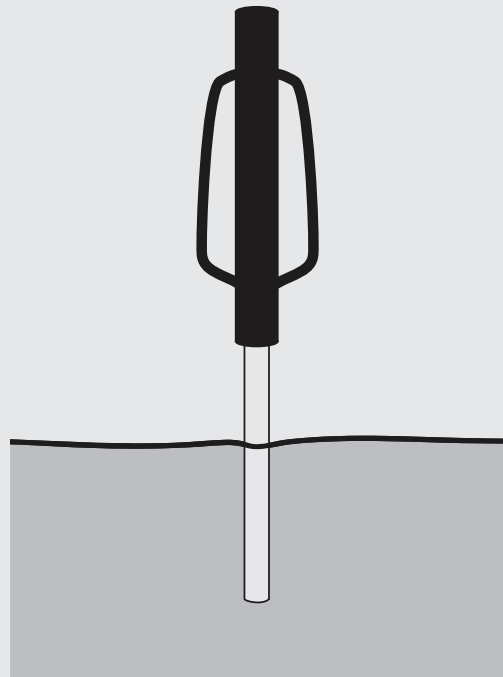
STEP 1



Pilot Post Hole

Start a pilot hole for each post using a San Angelo digging bar approximately 1–1½' deep.

STEP 2



Install Reverse Sleeve

Use the post driver to install your reverse sleeve approximately 3' into the ground.

ANGLE OF SLEEVE

END POST: Keep the reverse sleeve perfectly level.

CORNER POST: Angle the sleeve approximately 5-degrees towards the outside of fence.

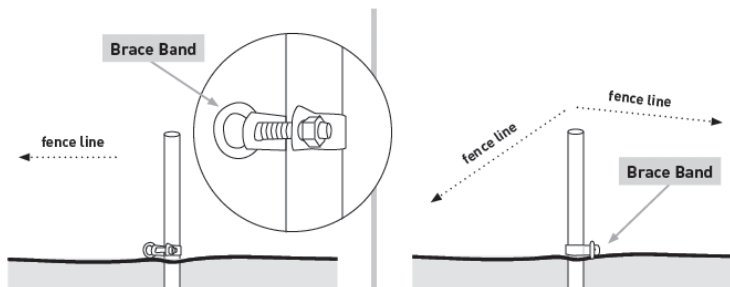
LINE POST: Keep the reverse sleeve perfectly level.

POSITION OF EYE-BOLT

END POST: The eye-bolt faces down the fence line.

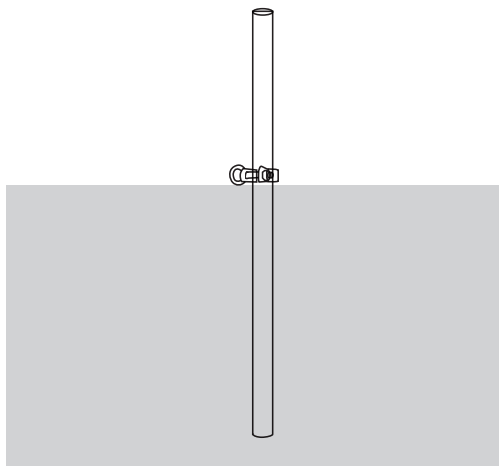
CORNER POST: The eye-bolt is on the inside of the corner post.

LINE POST: The eye-bolt faces out towards the deer.



STEP 3

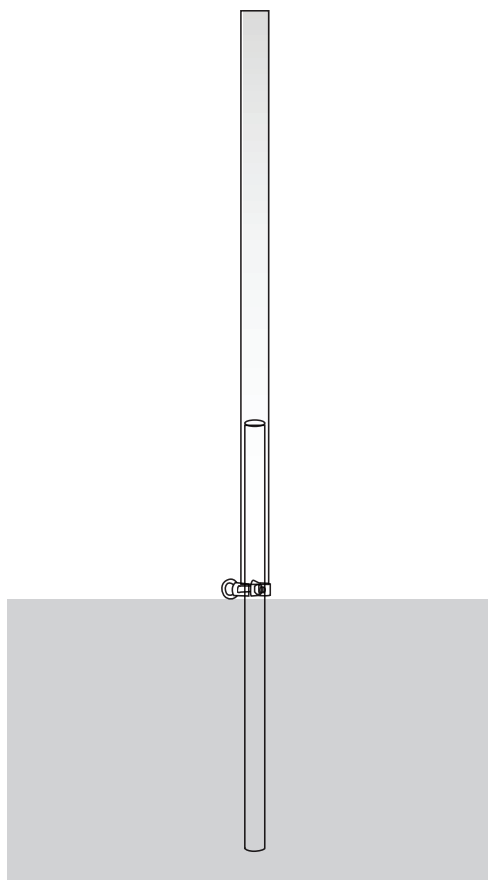
Eye is in the vertical position to allow cable to thread through opening.



Install Bottom Brace Band

Slide 1³/₈" inch brace band onto the reverse sleeve at ground level and tighten nut. Secure with the eye in the vertical position.

STEP 4

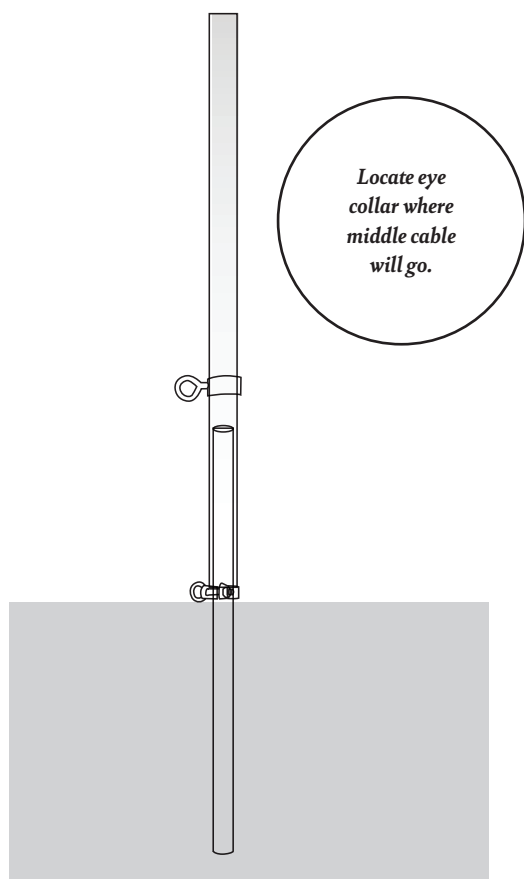


Install Post

Slide the post onto the reverse sleeve.



STEP 5



Install Eye Collar(s)*

Slide 1 $\frac{5}{8}$ " inch collar with eye-bolt onto the post and tighten. Secure with the eye in the vertical position.

*necessary for 3 or more horizontal tension cables.

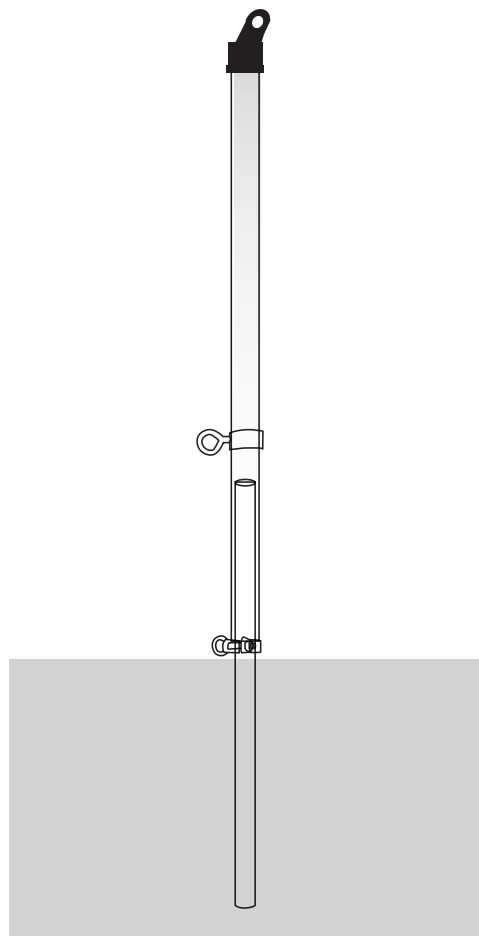
POSITION OF EYE-BOLT

END POST: The eye-bolt faces down the fence line.

CORNER POST: The eye-bolt is on the inside of the corner post.

LINE POST: The eye-bolt faces out towards the deer.

STEP 6



Install Post Cap

Slide post cap onto post.

POSITION OF POST CAP

LINE POST: cap hole faces out.

END POST: cap hole faces down the fence line.

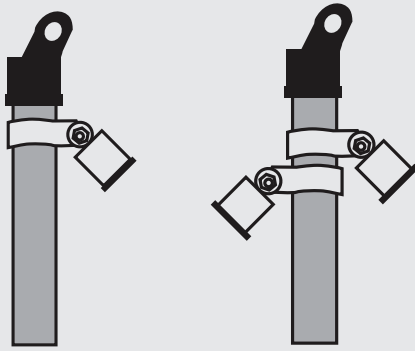
CORNER POST: cap hole faces in.

For end, corner, and gate posts, install necessary brace bands and brace cups before installing the post cap.

BRACING

This method should be used for all end, corner, gate posts

STEP 1



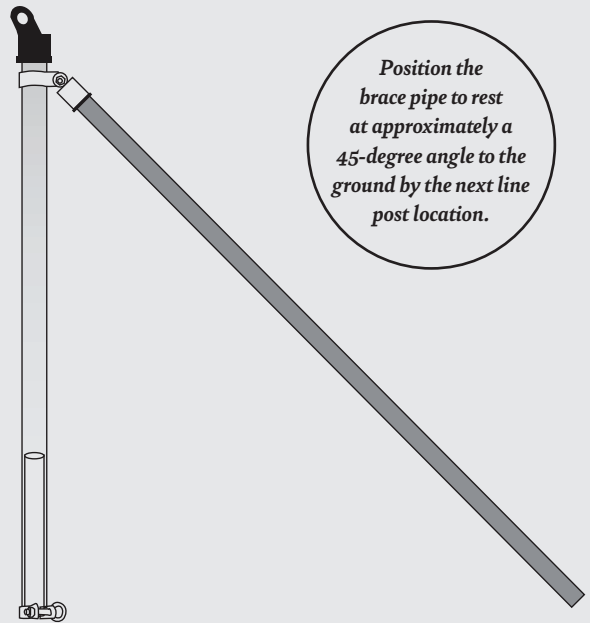
end + gate posts

corner post

Install Top Brace Band, Brace Cup and Post Cap

Attach 1³/₈" brace cup to 1⁵/₈" brace band using carriage bolts. Slide onto end or corner post. Locate the brace band about two inches below the post cap and tighten bolts.

STEP 2



Install Brace Pipe

Slide 1³/₈" brace pipe into the 1³/₈" brace cup.

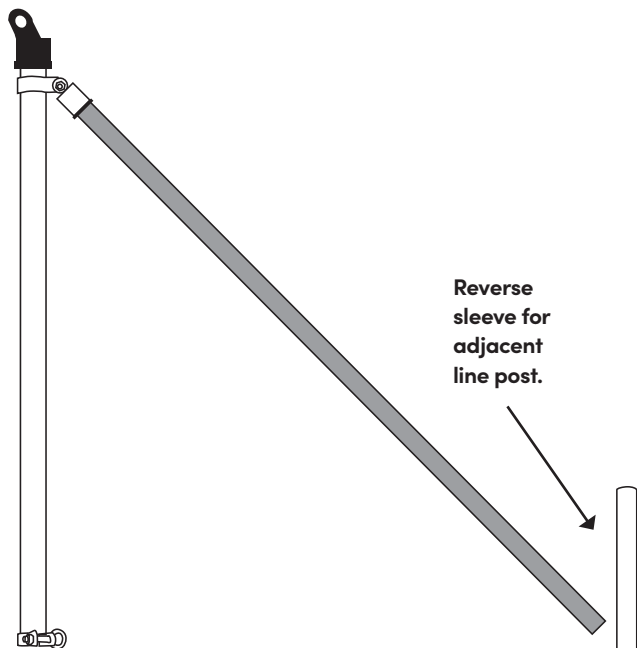
POSITION OF BRACE CUPS

END POST: Face brace cup towards the next post.

CORNER POST: Face one brace cup towards the next line post, face the other brace cup towards the opposite line post.

If the brace pipe is too long, it can be cut to the necessary length using a sawzall.

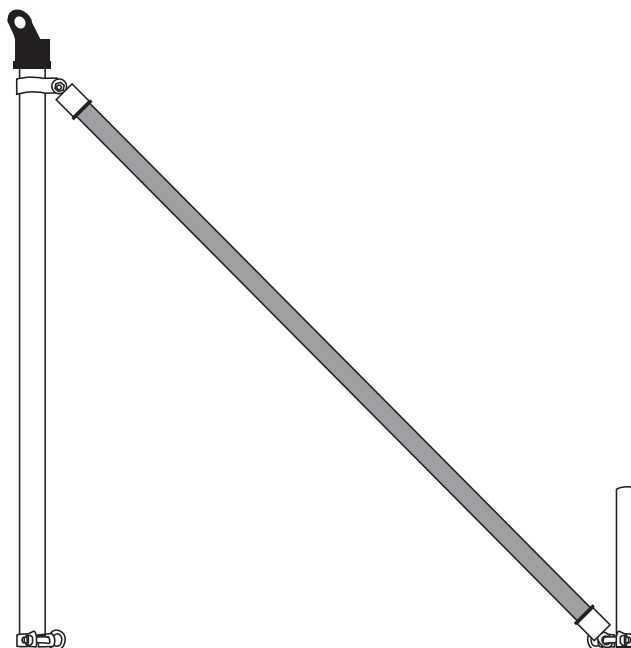
STEP 3



Install Reverse Sleeve for Locking Line Post

Follow previous instructions for reverse sleeve installation.

STEP 4



Lock Brace Pipe

Attach 1 $\frac{3}{8}$ " brace cup onto 1 $\frac{3}{8}$ " brace band and slide onto reverse sleeve. Insert brace pipe into brace cup.

POSITION OF REVERSE SLEEVE

Pilot the post-hole for the next post approximately 2 inches away from where the brace pipe rests on the ground. Keep the end or corner post in a level position.

Keep the eye-bolt vertical and use a magnetic level to check for levelness of the post. Check each post for levelness after tightening.

If tension/angle adjustment is required: move 1 $\frac{5}{8}$ " brace band at the top of the post up or down.

TWO PIECE PIPE ASSEMBLY

WITH TAPERED PIPE: Put tapered end into non-tapered end brace pipe.

WITH CONNECTOR PIPE: Fit both ends of brace pipe into connector pipe.

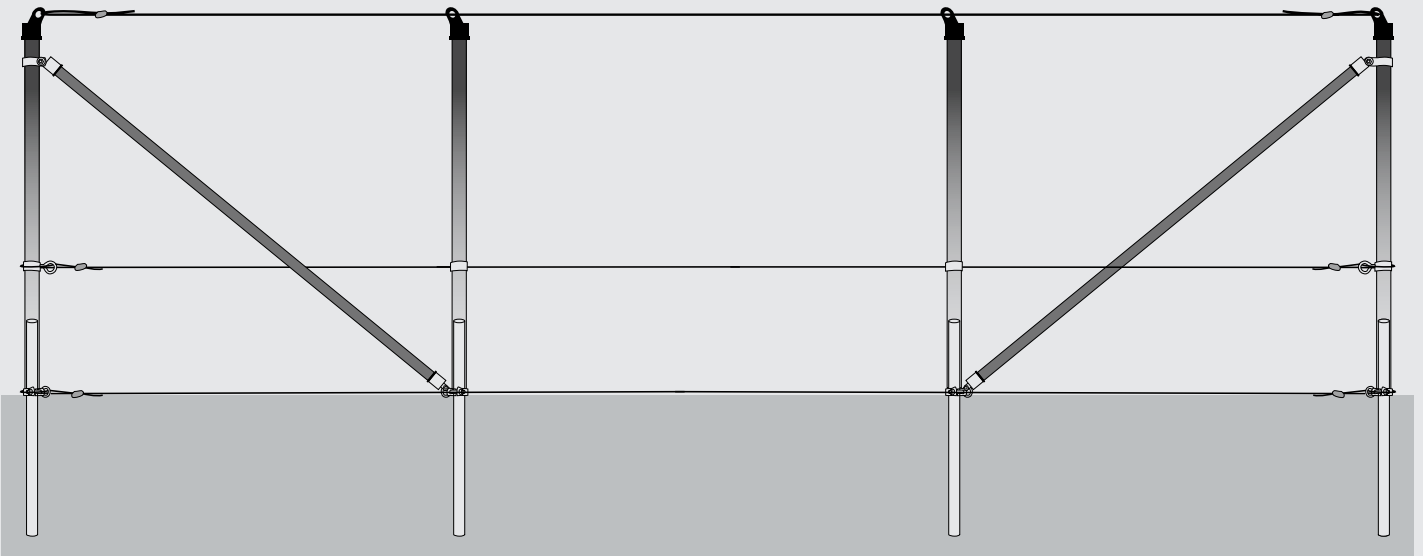
OPTIONAL: Self-seal screw connector to brace pipe.

OPTIONAL: Secure cap to post with either rubber cement or self-sealing screw.

HOW TO INSTALL

CABLE

This method should be used for all cable installation.



STEP 1

Run Cable

Slide cable through each eye bolt or post cap in stretches up to 200'.

WHERE TO START CABLE RUNS?

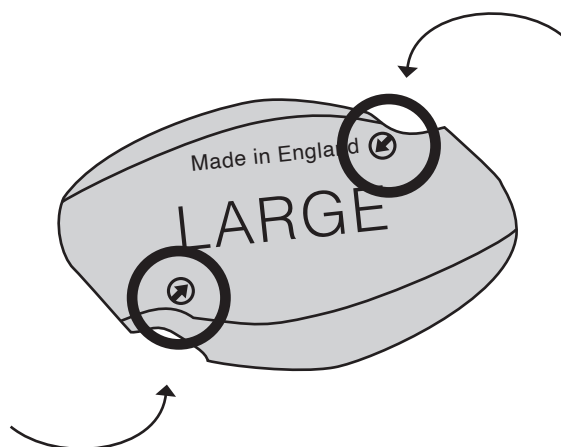
Begin and terminate all cable at a braced, cemented, or tree post whenever possible.

STEP 2

Terminate Cable

Cut the cable, leaving approximately 2' of extra cable. Use a gripple to fasten. Slide the cable into the fastener following the arrows on the gripple. Do not tighten yet. Repeat this step at the starting point.

STEP 3



Tighten Cable

Tighten both ends by holding the fastener in one hand and pulling the cable with pliers in the opposite direction.

WHICH CABLE GOES WHERE?

8 GAUGE METAL CABLE: Metal cable is used for the bottom cable because it can not be chewed through.

8 GAUGE NYLON CABLE: The thicker cable is used for the top cable to support the weight of the fence.

11 GAUGE NYLON CABLE: The thinner cable is used for the middle cable.

NOTE: Some kits may only come with one type of cable.

WHICH GRIPPLE GOES WITH WHAT?

MEDIUM GRIPPLE: secures 11 gauge cable (thinner cable).

LARGE GRIPPLE: secures 8 gauge metal and nylon cable (thicker cable).

STEP 4

U-bolt Cable Connector

U-bolt cable connectors can be used at one end of cable termination to terminate cable. The other end of the cable termination needs to be a gripple so that tension can be applied.

NEED MORE TENSION?

For extra tightening, raise the fastener up and pull the cable through.

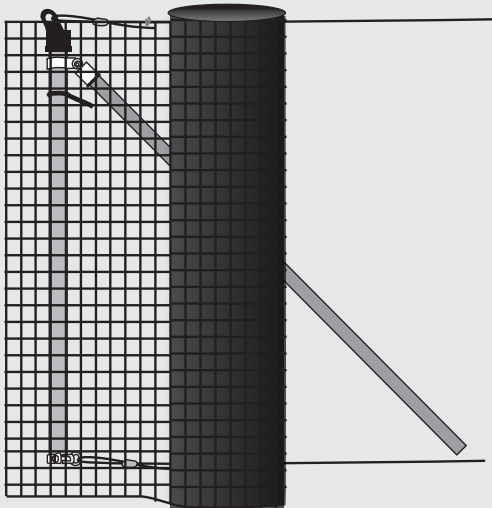
NEED TO JOIN TWO CABLES TOGETHER?

Use 2 u-bolt cable connectors to splice two ends of cable together.

FENCE

This method should be used for all fence installation.

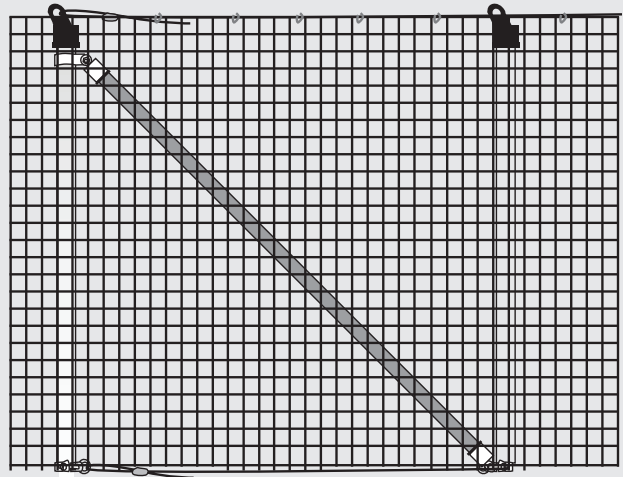
STEP 1



Attach Fence to Post

On the outside of the enclosure, roll out a few feet of the fence. Use a cable tie to attach the fence to the post leaving 3-4 mesh blocks past the fence post. Fasten the top of the fence to the upper cable with a hog ring clip near the first post.

STEP 2



Run Fence

Spin out the fence roll down the fence line. Fasten the top of the fence to the upper cable close to each post with one hog ring clip.

FENCE TIPS

THE FENCE ROLL IS TOO HEAVY.

If the fence roll is too heavy to manage, measure a section of one to three post spacing. Make sure to cut extra fence to extend beyond the starting and stopping post. A general guideline is 14", more may be needed for hilly terrain.

WHERE TO START FENCE RUNS?

Begin and terminate fence at a braced, cemented, or tree post whenever possible.

BENDING FENCE ALONG THE GROUND.

If fencing is taller than posts, the additional fence can be bent "out" along the ground towards the deer and rodents.

HOW MUCH FENCE TO RUN AT A TIME.

THERE IS A TURN OR CORNER: Cut fence, leaving at least 3 mesh grids past the post.

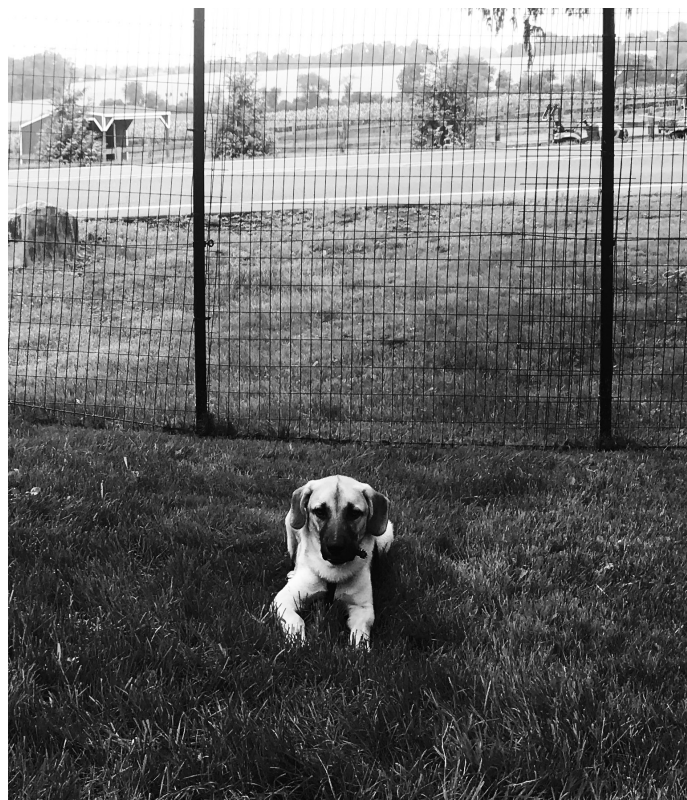
TERRAIN IS FLAT: Fence can be run in stretches up to 100'.

TERRAIN IS HILLY: The fence will need to be cut in sections to follow the contour of the ground. Always cut the fence at a post, leaving about 3-8 mesh grids of fence past the post. The steeper the hill, the more fence that will be needed for overlap.

FENCE RUNS OUT BEFORE REACHING A POST

If the fence does not reach a post when the roll runs out, there are two options.

1. Cut the fence off at the previous post and use the scraps for gates and or tightening procedures.
2. Run the fence roll all the way out and fasten it to the top, middle and bottom cables. Start the next roll of fence by overlapping at least 3 mesh sections and connect fences using hog ring clips.



DOG + PET FENCING

For dog enclosure fencing, the fence should be installed on the inside of the enclosure. Bend fence "in" along the ground towards the dog area.

POLYPROPYLENE FENCE TIPS

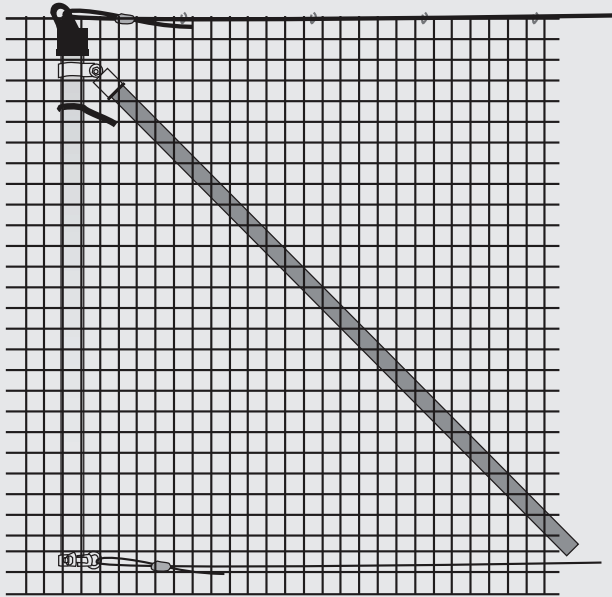
POSITION OF FENCE ROLL

Keep the fence roll facing in towards the area that is being fenced off. This is the best way for the poly fence to be run out, since it has been rolled back the other way during manufacturing.

USING FENCE WITH REINFORCED BOTTOM.

Make sure the reinforced end is down at the ground.

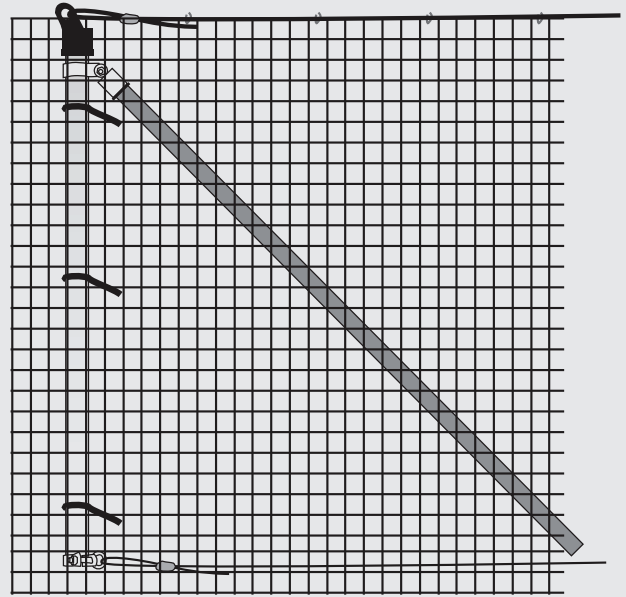
STEP 3



Attach Fence Run to Top Cable

Attach fence to top cable approximately every foot with hog ring clips.

STEP 4

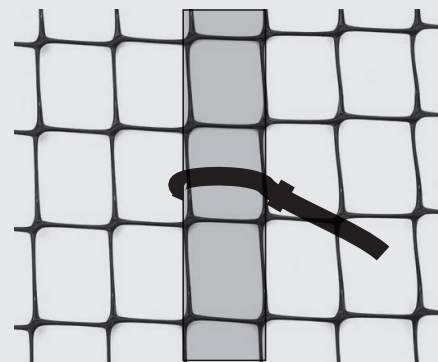


Zip-Tie Fence to Posts

Do the ends first. Zip tie fence to post leaving the extra length of fence past the post. Use 3–4 zip-ties per post. Zip tie fence to all posts in fence run.

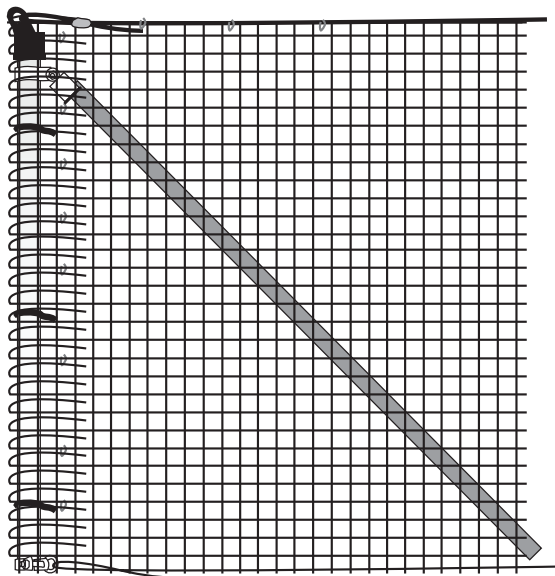
HOG RING GUN ALTERNATIVE

For smaller projects, 8" zip ties can be used to attach the fence to the cable.



Wrap zip ties around post and one full grid of deer fence

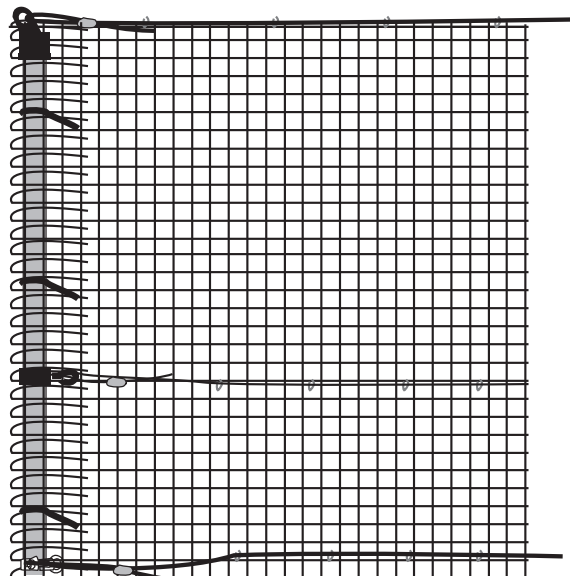
STEP 5



Wrap Fence Ends Around Posts

Wrap cut ends of fence around fence post. Connect end of fence into fence using hog ring clips.

STEP 6



Attach Fence to Middle and Bottom Cables

Connect fence using hog ring clips to the middle and bottom horizontal tension cables.

KEEP THE BOTTOM SNUG TO THE GROUND

Pull the bottom metal cable “up” and clip it 2—3 mesh grids up into the fence. This will help to stretch the fence tight and keep the fence tight to the ground.

INSTALLING GROUND STAKES

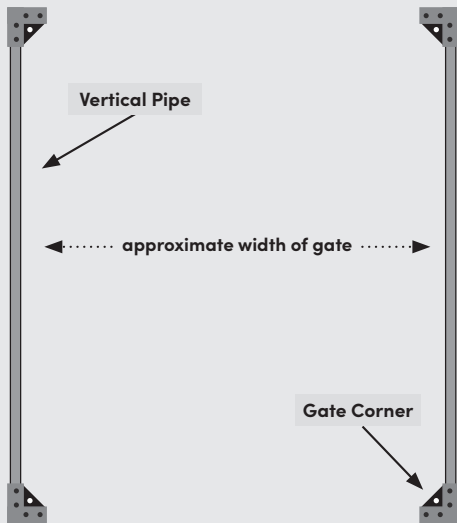
Install ground stakes in between each post spacing and anywhere there is a large divot or uneven ground between posts. Install ground stakes through metal cable and fence, about 3 mesh grids up into the fence .

METAL CABLE TIES

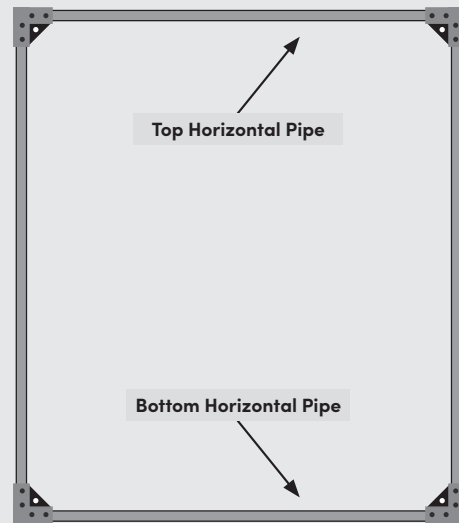
Two to three metal cable ties can be added to each post after fence installation is complete.

ACCESS GATE FRAMES

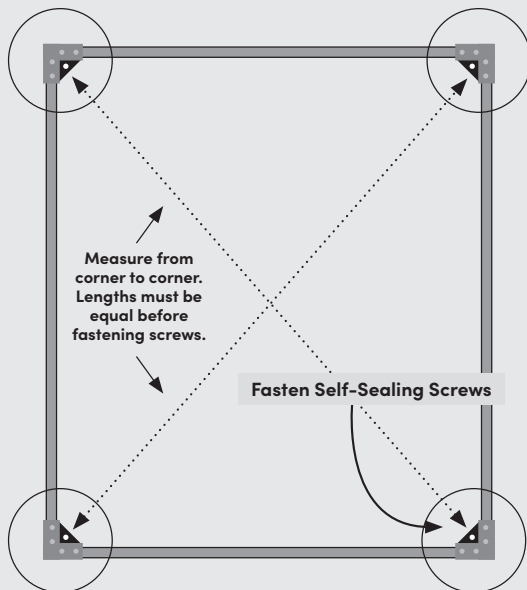
STEP 1



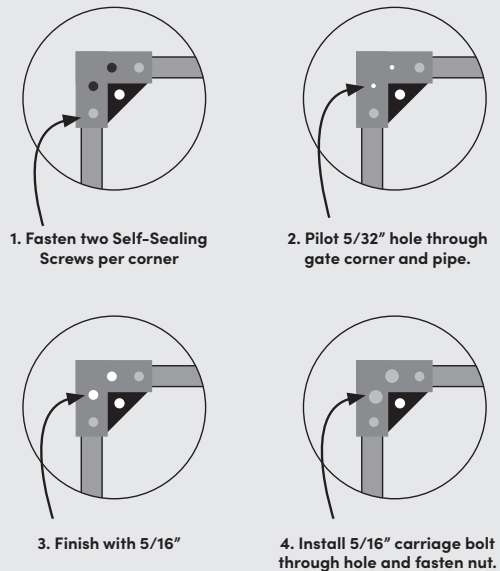
STEP 2

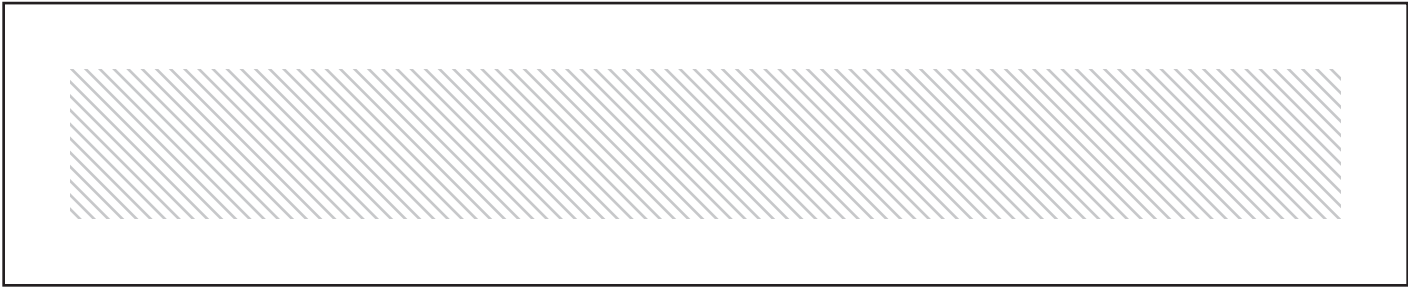


STEP 3

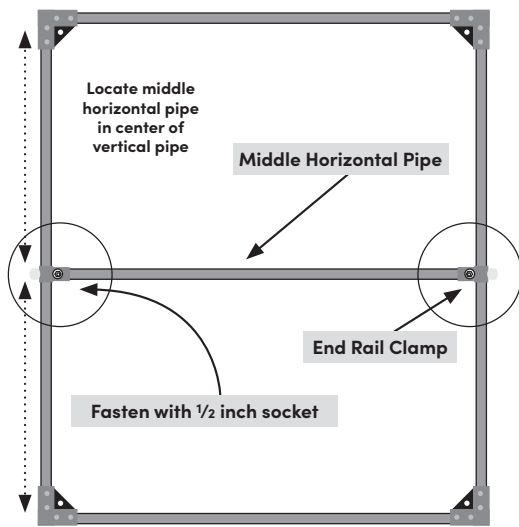


STEP 3 alternative

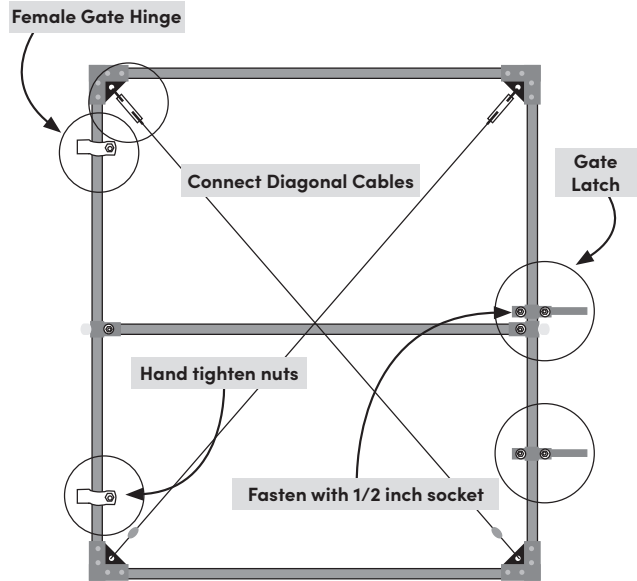




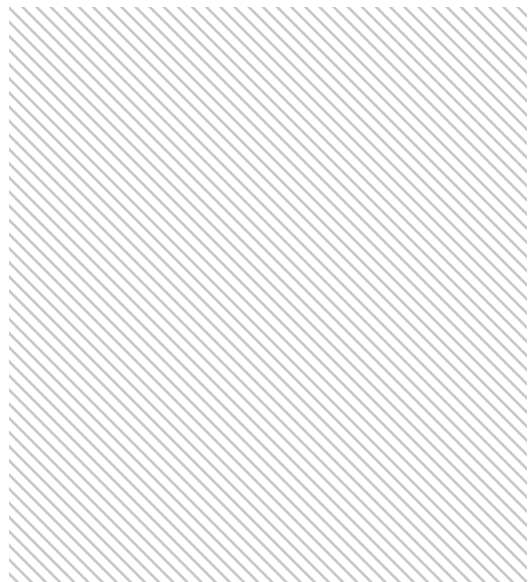
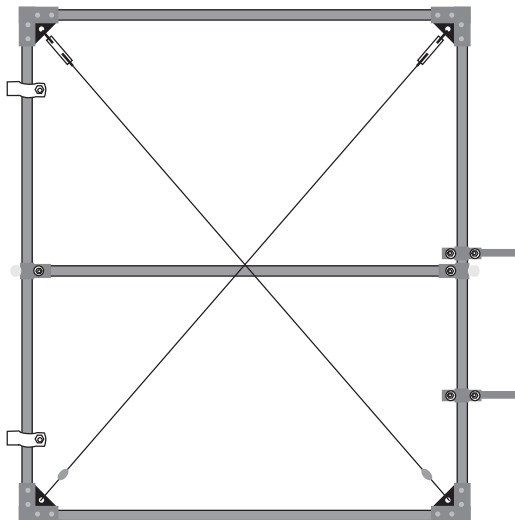
STEP 4



STEP 5



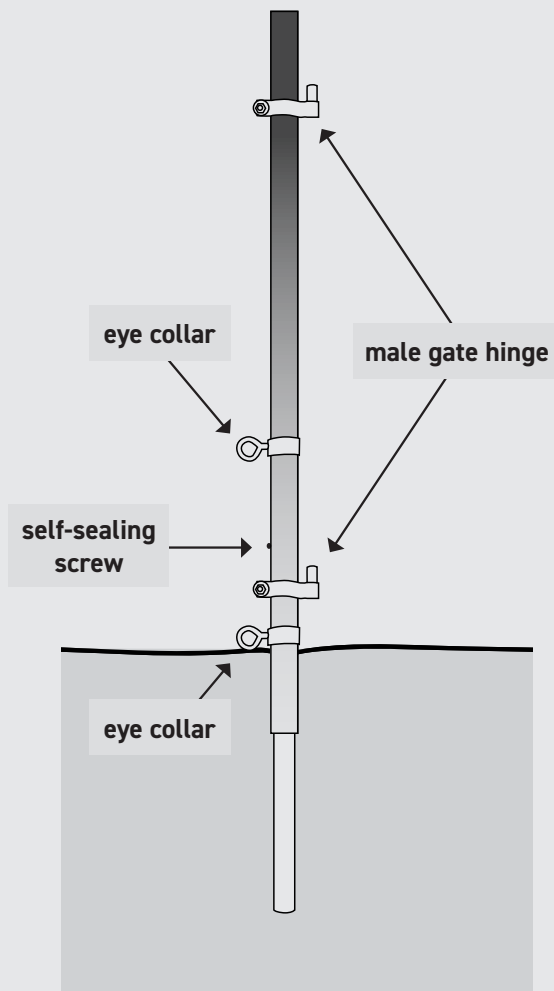
STEP 6



ACCESS GATES

This method should be used for all gates installed on 1 5/8" posts.

STEP 1



Install Hinging Gate Post and Hardware

INSTALL REVERSE SLEEVE: Follow previous instructions for reverse sleeve installation.

INSTALL GATE POST: Slide gate post over reverse sleeve. Sink gate post 12" - 18" into the ground to achieve desired height.

INSTALL EYE COLLAR: Slide 1 5/8" inch eye collar onto gatepost and tighten at ground level.

INSTALL BOTTOM HINGE: Slide 1 5/8" male gate hinge onto gatepost and let slip to bottom.

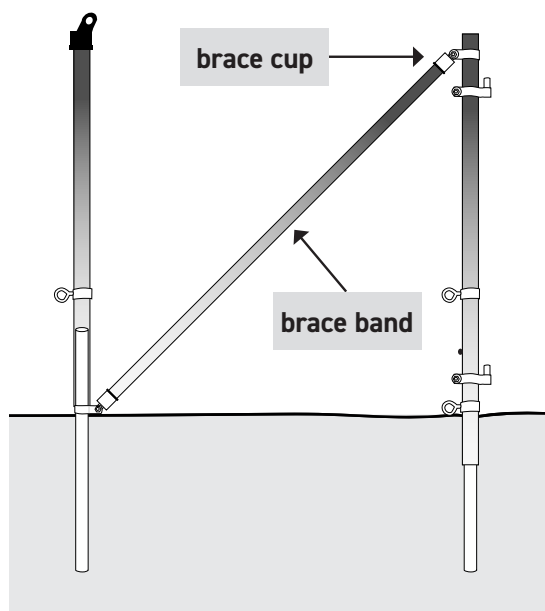
ANCHOR POST: Anchor post to reverse sleeve to prevent the post from moving when tension is applied as well as prevents shifting when operating gate. Pilot a hole 12 inches up the post using an 1/4" drill bit (18V drill recommended) to pilot out a hole through the post and reverse sleeve. Fasten with a self sealing screw (use a drill/driver with a hex drive).

INSTALL EYE COLLAR: Necessary if using a middle horizontal tension cable.

INSTALL TOP HINGE: Slide the other 1 5/8" male hinge onto the gatepost.

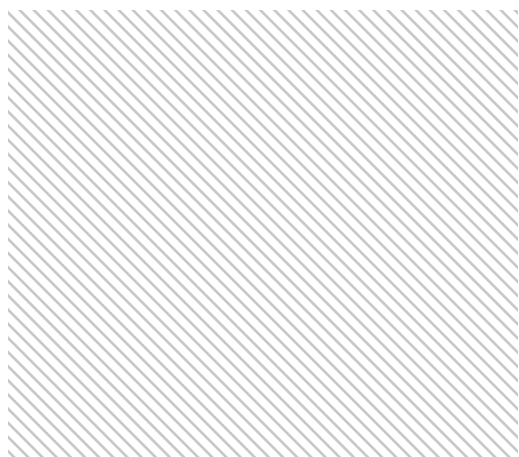
TIGHTEN HINGES: Tighten the bottom male hinge facing in (where the gate will be in the closed position) at approximately 8" off ground. Tighten the top male hinge approximately 18" from the top of gate post, in-line with the bottom gate hinge.

STEP 2

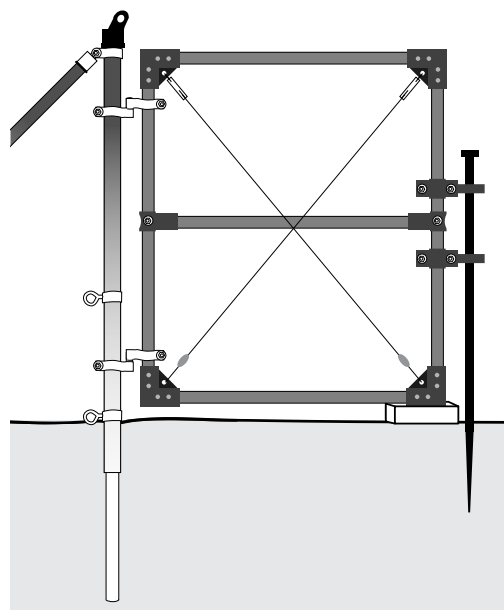


Install Bracing

Follow previous instructions on brace pipe instructions.



STEP 3



Mount Gate Frame

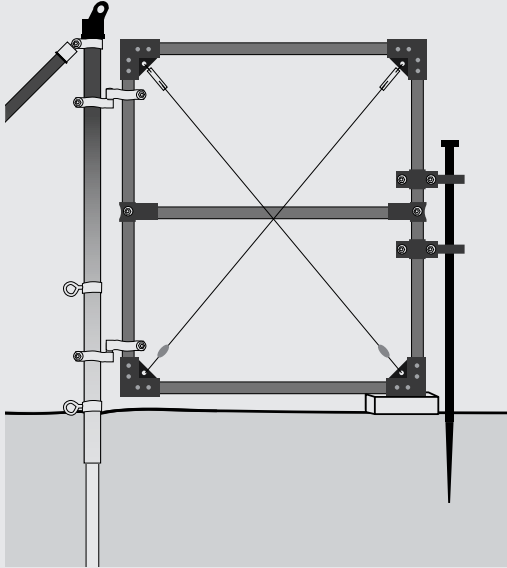
MOUNT GATE: Hold gate frame in a level position so the female hinges are on the same side as male hinges. Slide female hinges onto male hinges. Keep gate approximately 3—4" off the ground by resting gate frame on a piece of wood or rock.

TIGHTEN HINGES: Keep the gate frame level, tighten female hinges.

NOTE: At this point it is important to keep gate closed and on leveling block or rock. Do not swing gate until tension is added to mounting post.

POSITION LATCHES: Position latch just above middle section of gate and tighten. Keep latch in the closed position, facing straight down the fence line away from gate. When using two latches, position latches about one foot apart.

STEP 4



Install Latching Gatepost

DETERMINE POST LOCATION:

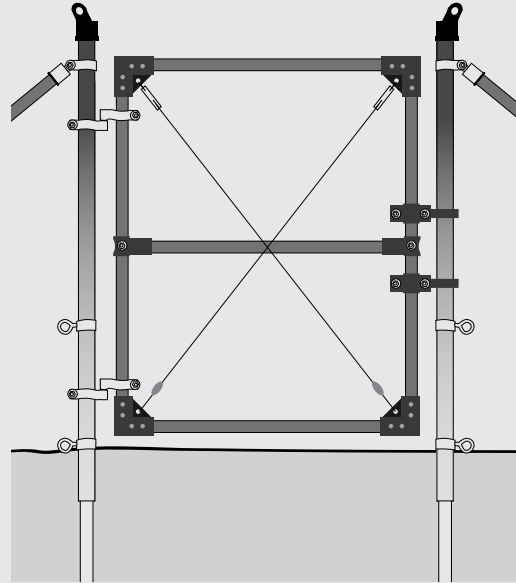
With gate closed and level, use the san angelo digging bar to determine latch post location. Slide digging bar through gate latch vertically to mark spot. Make sure digging bar is located in the center of the latch, error on the side towards gate.

INSTALL REVERSE SLEEVE FOR:

Follow previous instructions for reverse sleeve installation.

CHECK GATE: Check that the gate is level and that the gate latch fit. Adjust reverse sleeve if necessary.

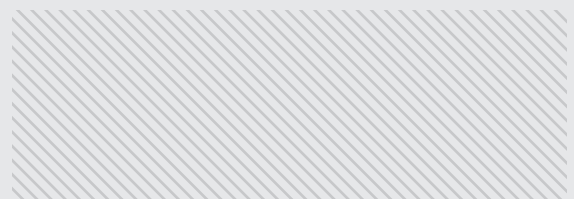
STEP 5

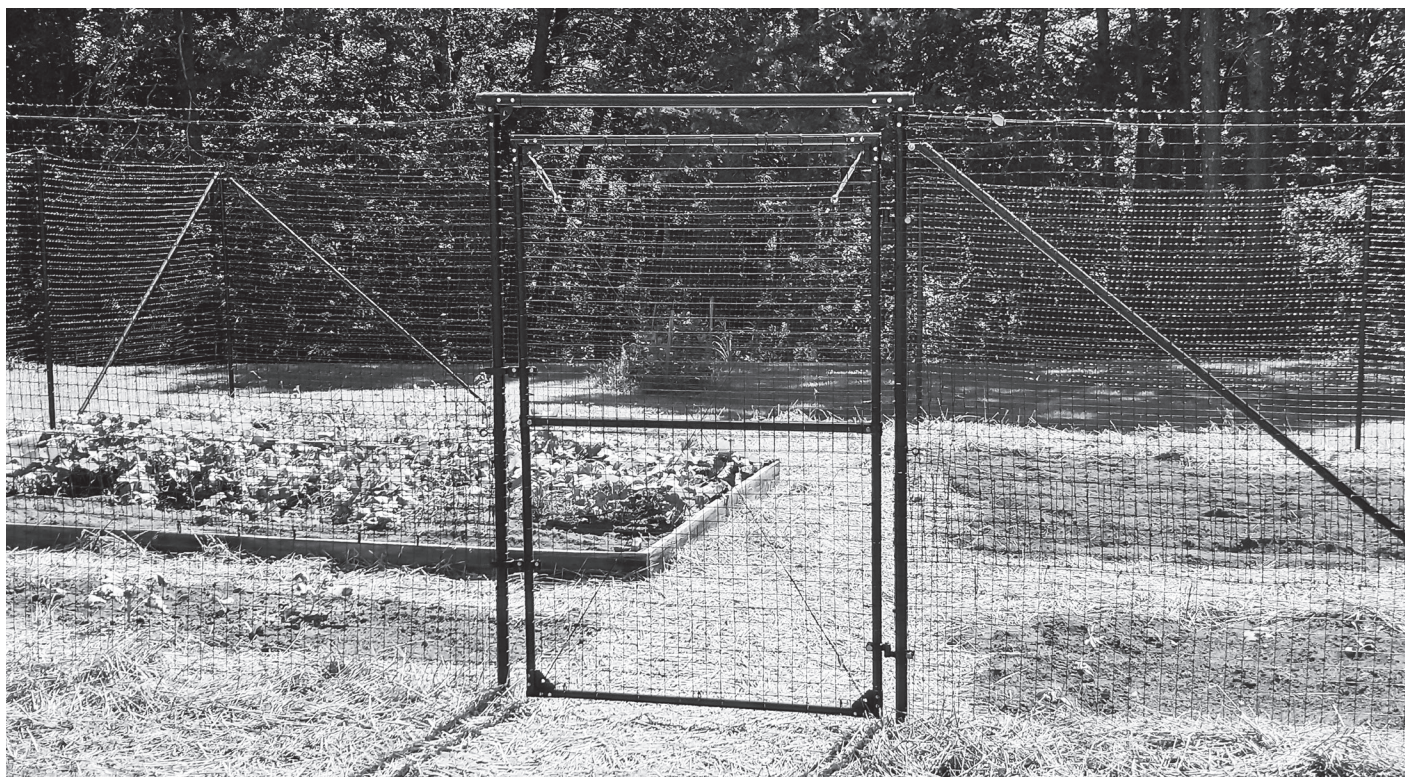


Install bracing

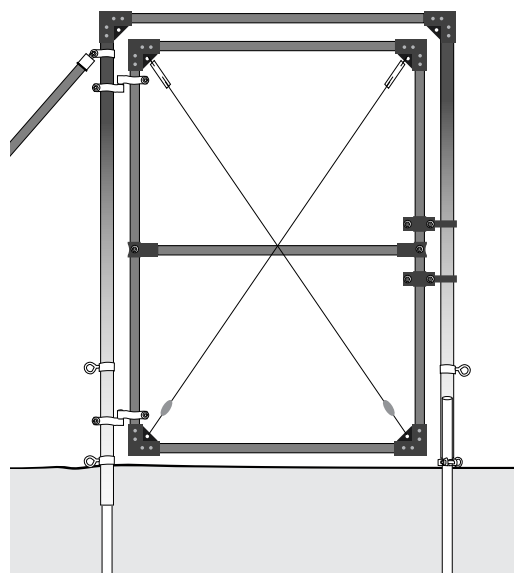
Follow previous instructions on brace pipe instructions.

ANCHOR POST: Anchor post to reverse sleeve to prevent the post from lifting up when tension is applied as well as prevents shifting when operating gate. Pilot a hole 12 inches up the post using an $\frac{1}{4}$ " inch drill bit (18V drill recommended) to pilot out a hole through the post and reverse sleeve. Fasten with a self sealing screw (use a drill/driver with a hex drive).





STEP 6



Install Top Brace

For gates 6-ft high and over.

Slide 1, 1⁵/₈" gate corner onto the spreader bar. Keep gate corner in the middle of spreader bar. Slide the gate corner onto the gatepost. Keep the gate corner in the middle of the spreader bar. (This will keep gatepost level)

Pull the top spreader bar out until is flush with the second gate post end. Slide the other gate corner onto the top of latching gatepost. Hold gate corner in place. Keep spreader bar length even with both ends of gate corner. Make sure it isn't sticking out on either end.

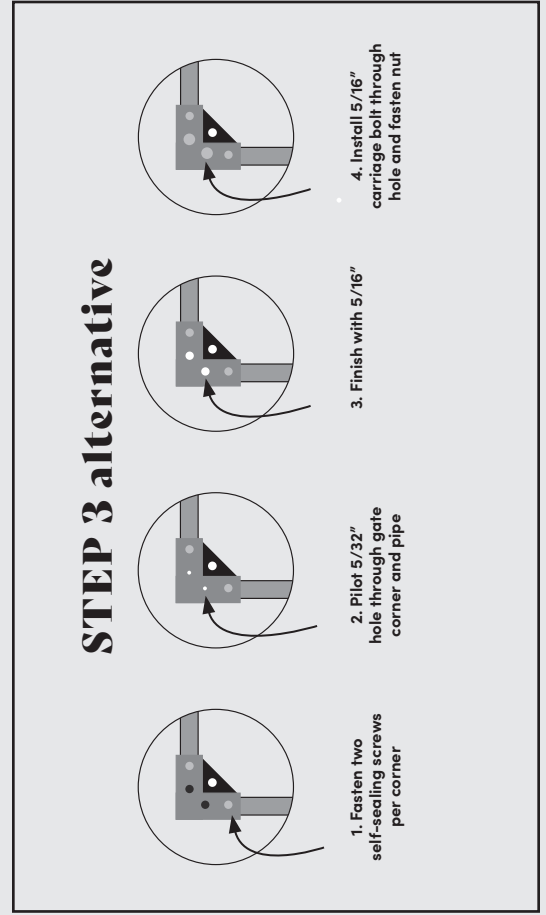
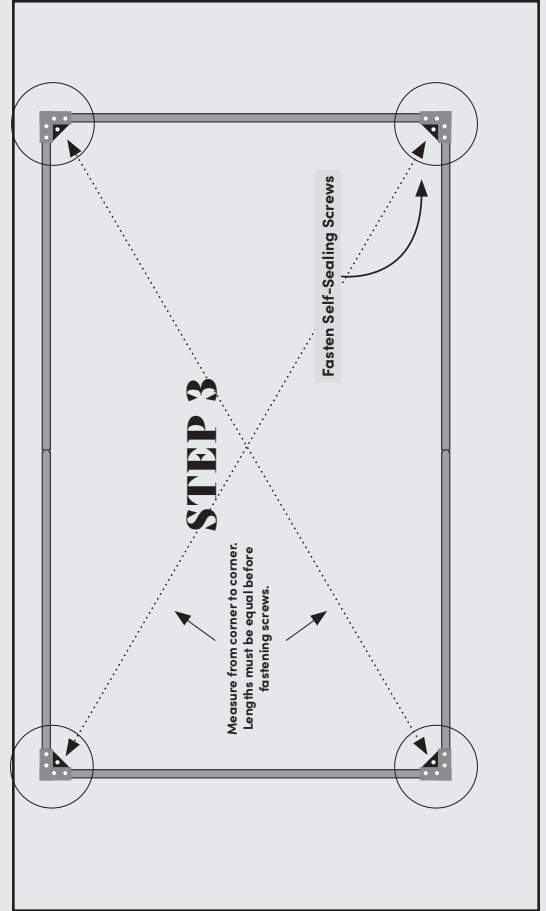
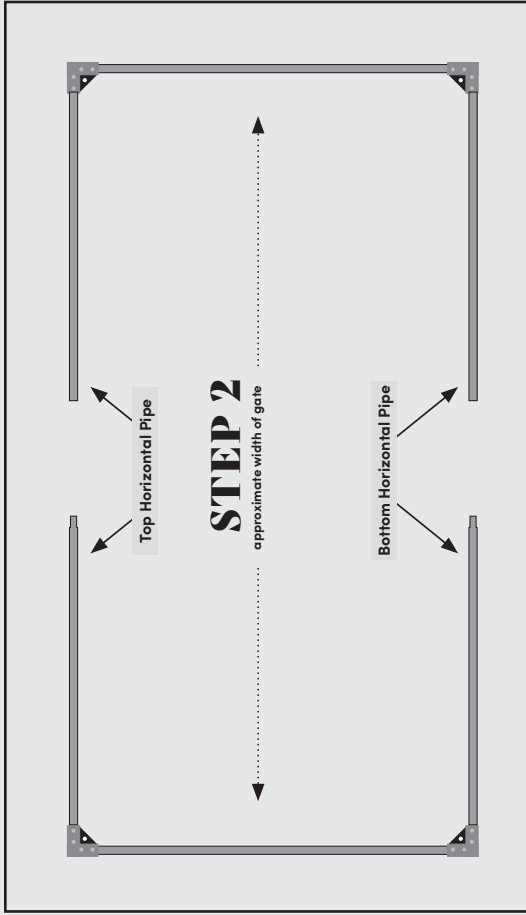
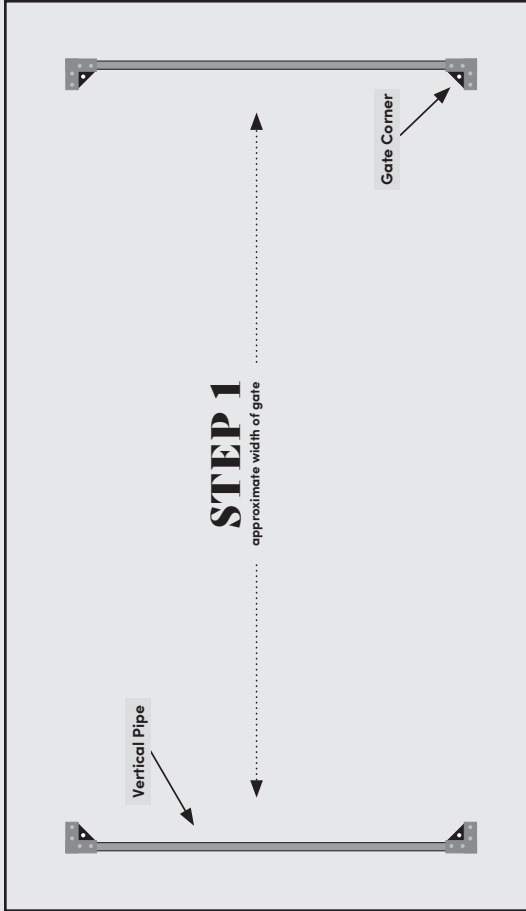
Check levelness of top spreader bar and gateposts.

SECURE GATE CORNERS TO GATE POST: In the provided holes in the gate corners, drill pilot holes into the gateposts. Install and tighten self-sealing screws into gatepost. Repeat process on other side of gate corners.

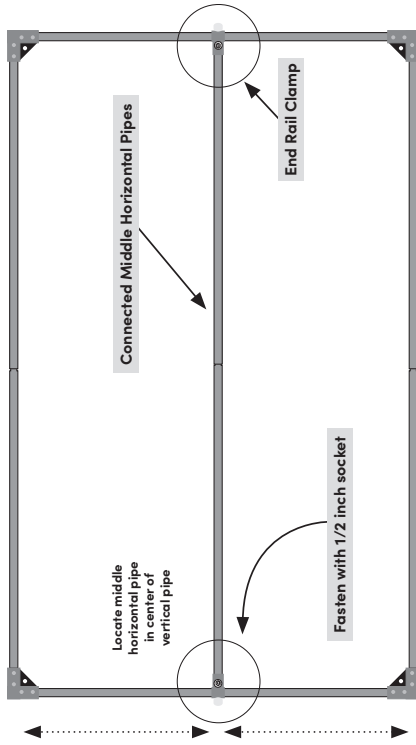
Re-check levelness of top spreader bar and gateposts.

SECURE GATE CORNERS TO SPREADER BAR: While holding top spreader bar in place, drill pilot holes through provided holes in gate corners into spreader bar. Install and tighten self-sealing screws into spreader bar.

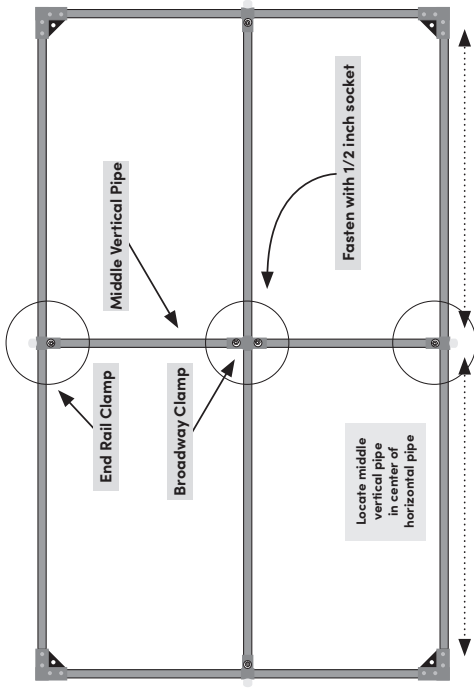
DRIVEWAY GATE FRAMES



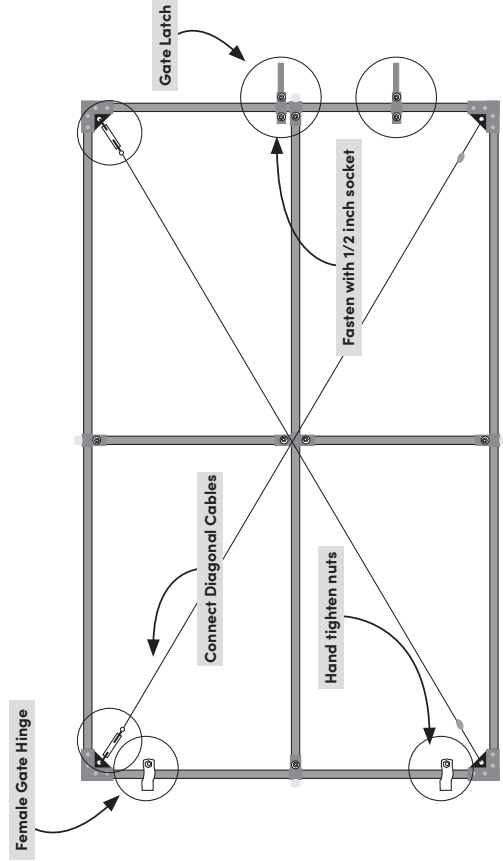
STEP 4



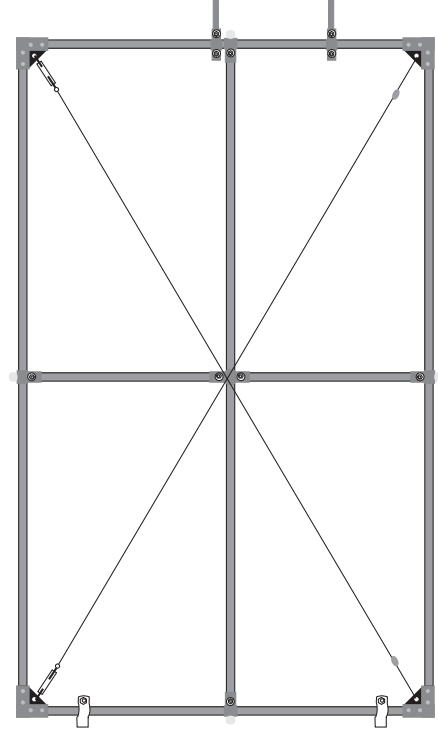
STEP 5



STEP 6



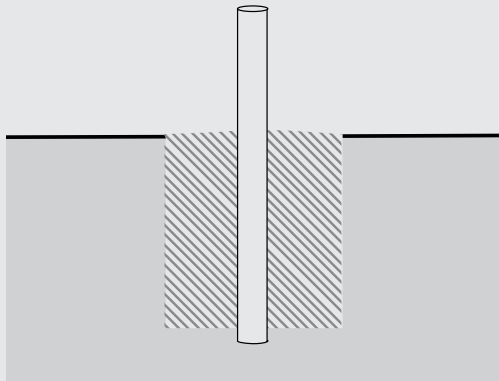
STEP 7



DRIVEWAY GATES

Use this method for all single and double gates installed on 2 1/2" posts.

STEP 1



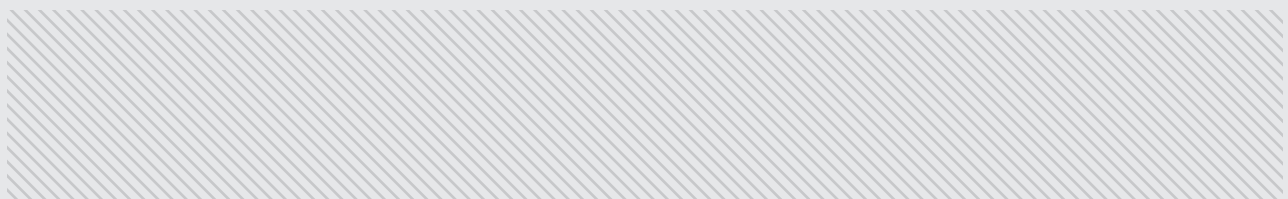
Install Hinging Post Reverse Sleeve

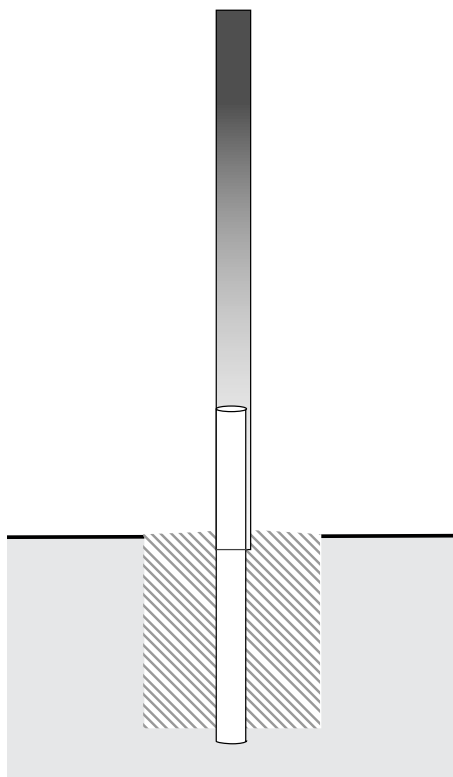
DIG A HOLE: Dig a hole approximately 3 feet deep. Keep the width consistent throughout the entire hole.

PUT SLEEVE IN HOLE: Using a digging bar, soften the soil at the bottom of the hole. Put end of sleeve without the setting screws into the hole. Position sleeve so that 3 setting screws are at the top and facing gate side. Keep the sleeve in the middle of the hole. Hold the sleeve in place and keep level. Secure sleeve into hole by using sledge hammer to drive sleeve snug into bottom of ground. Be careful not to mushroom top of sleeve. Fill hole approximately 1/3 full with dirt. Use the back end of a sledgehammer handle or digging bar to pack the dirt around the sleeve.

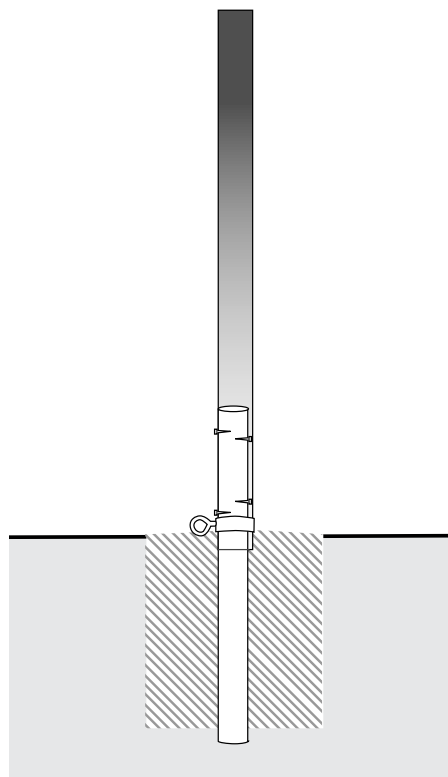
FILL HOLE WITH CEMENT: Use magnetic level to check sleeve for levelness. Start adding dry Quickcrete into hole. Fill and pack until 3—4" short of ground level.

REPACK CEMENT: Check sleeve again for levelness. Drive sleeve into ground with sledge hammer and repack quickcrete. Check sleeve again for levelness.



STEP 2**Install Gate Post**

Slide gatepost onto sleeve. Insert post about 6 inches below ground level. Check the height of gatepost to make sure it is the desired height. Fill and pack hole with quickcrete to ground level. Check post for levelness.

STEP 3**Install Bottom Hinge + Anchor Post**

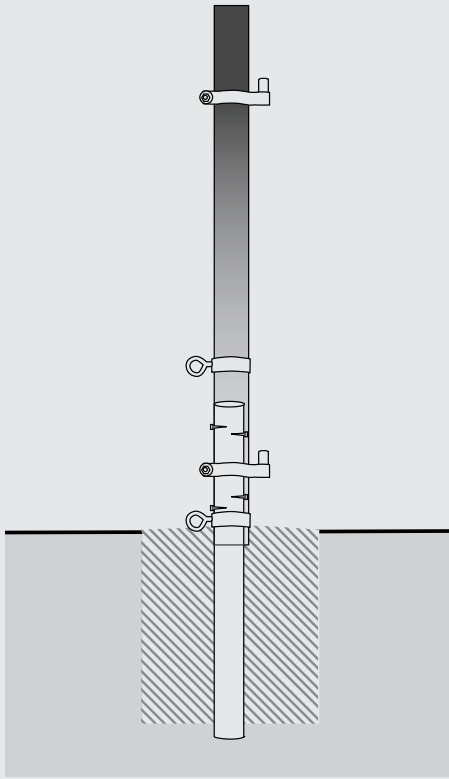
INSTALL BOTTOM HINGE: Slide one 2½" male gate hinge onto gatepost and let it slip to the bottom.

ANCHOR POST: Pilot two ¼" holes through post and sleeve on the fence line side of gatepost in the following locations:

1. 6 inches from ground
2. 18 inches from ground.

Fasten post to sleeve with self-tapping metal screws.

STEP 4

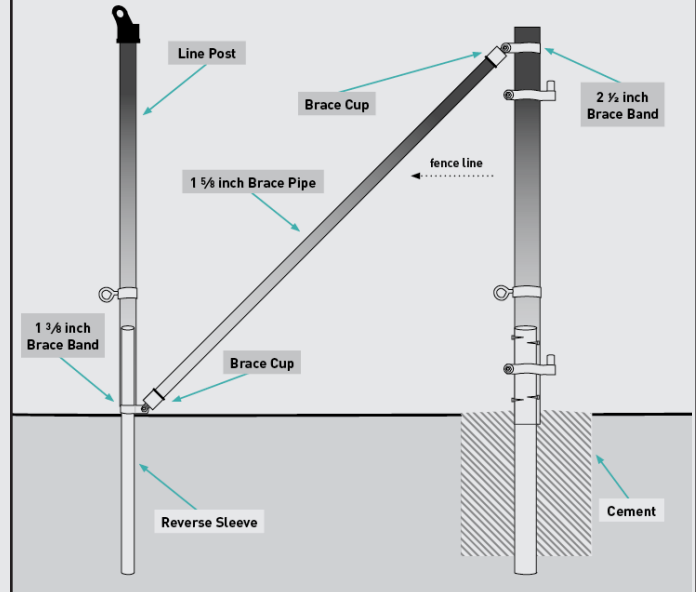


Install Hinges + Eye Collar

Slide one 2½" male gate hinge, one 2½" eye collar and then one 2½" male gate hinge onto gate-post.

TIGHTEN HINGES: Tighten the bottom male hinge facing in (where the gate will be in the closed position) at approximately 8" off ground. Tighten the top male hinge approximately 18" from the top of gate post, in-line with the bottom gate hinge.

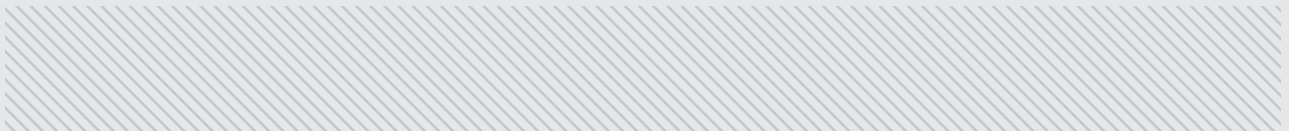
STEP 5



Install Bracing

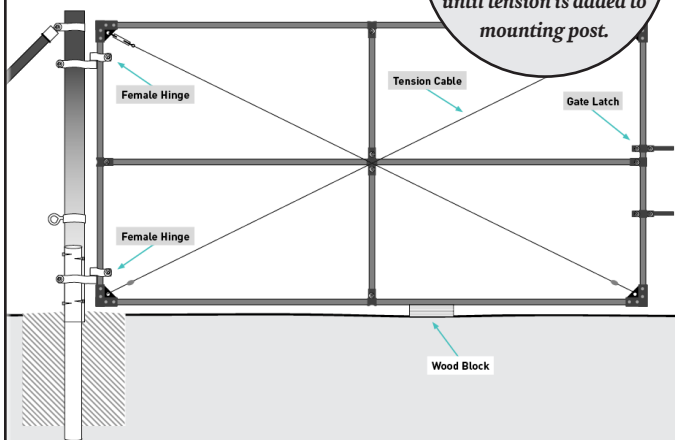
Follow previous instructions on brace pipe instructions.

NOTE: Gates use 1½" brace pipe and 1½" brace cups (these are also used as post caps)



STEP 6

It is important to keep gate closed and on leveling block or rock. Do not swing gate until tension is added to mounting post.



Mount Gate Frame

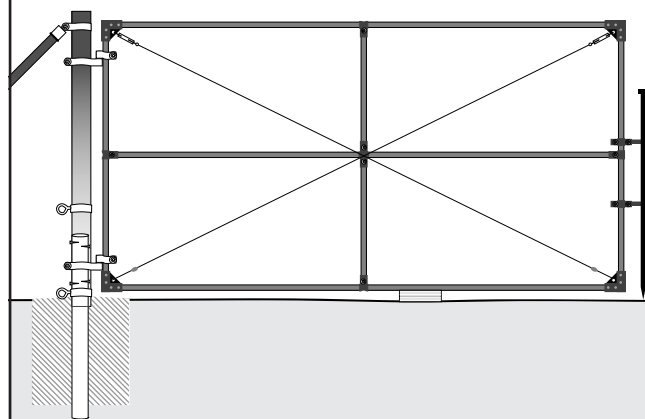
Hold gate frame in a level position so the female hinges are on the same side as male hinges. Slide female hinges onto male hinges. Keep gate approximately 3–4 inches off the ground by resting gate frame on a piece of wood or rock.

TIGHTEN HINGES: Keep the gate frame level, tighten female hinges.

POSITION LATCHES: Position latch just above middle section of gate and tighten. Keep latch in the closed position, facing straight down the fence line away from gate. When using two latches, position latches about one foot apart.

CHECK FOR LEVEL: Check to see that the gate stays level by removing the leveling block.

STEP 7



Install Latching Gatepost

DETERMINE POST LOCATION:

With gate closed and level, use the san angelo digging bar to determine latch post location. Slide digging bar through gate latch vertically to mark spot. Make sure digging bar is located in the center of the latch, error on the side towards gate.

INSTALL REVERSE SLEEVE:

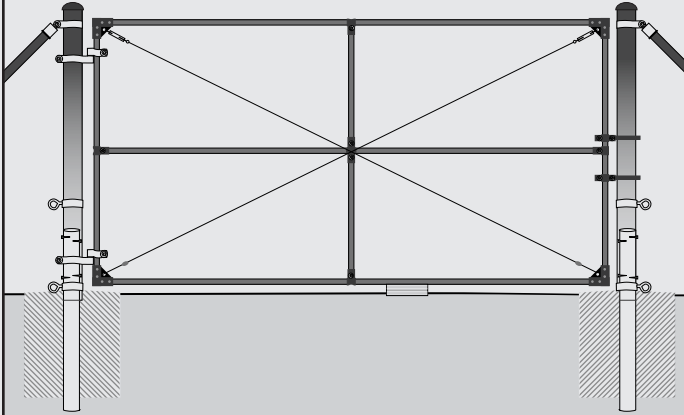
Follow previous instructions for driveway post reverse sleeve installation.

CHECK GATE: Check that the gate is level and that the gate latch fit. Adjust reverse sleeve if necessary.

INSTALL POST: Follow previous instructions for driveway post installation.

INSTALLING A DOUBLE GATE? Go to page 30.

STEP 8 (single gate)



Install Bracing

Follow previous instructions on brace pipe instructions.

NOTE: Gates use $1\frac{5}{8}$ " brace pipe and $1\frac{5}{8}$ " brace cups (these are also used as post caps)

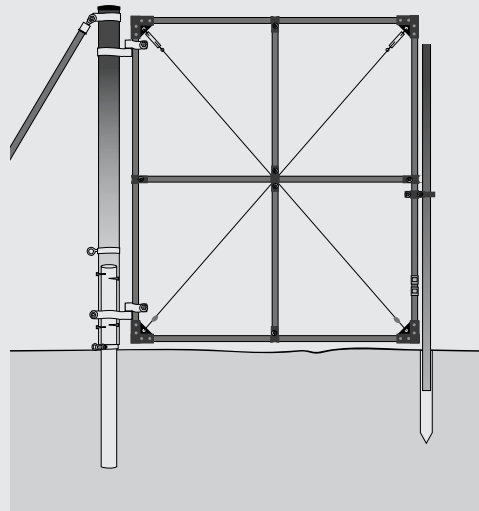
ANCHOR POST: Pilot two $\frac{11}{64}$ " holes through post and sleeve on the fence line side of gatepost in the following locations:

1. 6 inches from ground
2. 18 inches from ground.

Fasten post to sleeve with self-tapping metal screws.

SET CEMENT: Slowly pour 1 gallon of water in both post-holes. Allow cement to setup for 24 hours. Fence and cable may now be run off of both posts.

STEP 8 (double gate)



Install Removable Center Latching Post

(Optional)

INSTALL GROUND SLEEVE:

Dig small hole for $2\frac{1}{2}$ ' crimped ground sleeve to go into. Dry pack cement can be added around ground sleeve.

INSTALL POST: Slide the $1\frac{3}{8}$ " post into the sleeve. Check latch fit.

NOTE: At this point it is important to keep gate closed and on leveling block or rock. Do not swing gate until tension is added to mounting post.

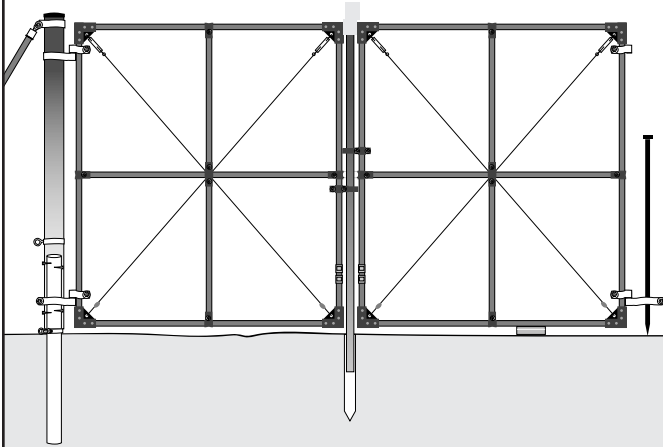
CHECK POST AND GATE:

check levelness on both post and gate frame (adjust if needed).

INSTALL LATCHING POST CAP:

Install $1\frac{3}{8}$ " vinyl cap insert.

STEP 9 (double gate)



Install Hinging Gatepost

DETERMINE POST LOCATION:

Hold the second gate in a latched and level position. Keep the gate in its closed position to locate the hinging gatepost hole. Use the San Angelo digging bar to mark the middle of the hole. The bar should fit level inside of the male hinge.

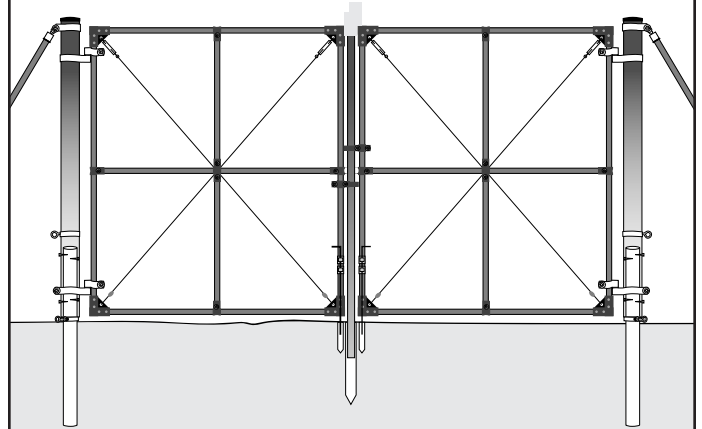
INSTALL REVERSE SLEEVE:

Follow previous instructions for driveway post reverse sleeve installation.

CHECK GATE: Check that the gate is level and that the gate latch fit. Adjust reverse sleeve if necessary.

INSTALL POST: Follow previous instructions for driveway post installation.

STEP 10 (double gate)



Install Bracing

Follow previous instructions on brace pipe instructions.

NOTE: Gates use 1 5/8" brace pipe and 1 5/8" brace cups (these are also used as post caps)

ANCHOR POST: Pilot two 1/4" holes through post and sleeve on the fence line side of gatepost in the following locations:

1. 6 inches from ground
2. 18 inches from ground.

Fasten post to sleeve with self-tapping metal screws.

SET CEMENT: Slowly pour one gallon of water in both post-holes. Allow cement to setup for 24 hours. Fence and cable may now be run off of both posts.

INSTALL GATE CANE BOLTS:

install two female gate hinges at the bottom of each gate frame. Slide gate cane bolt through holes in female hinges.

DOUBLE GATE WITHOUT CENTER LATCHING POST: Gates latch directly to opposite gate frame.

